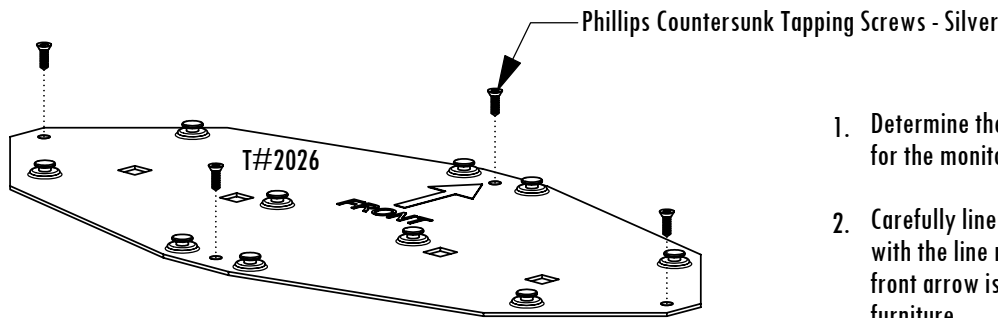
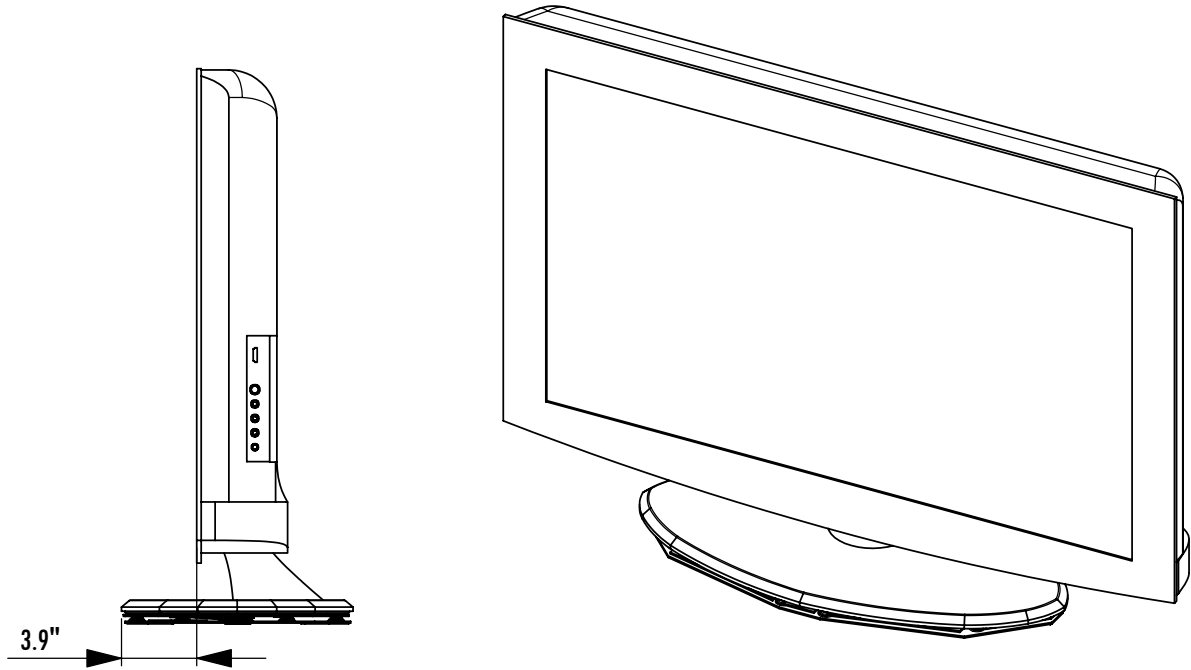
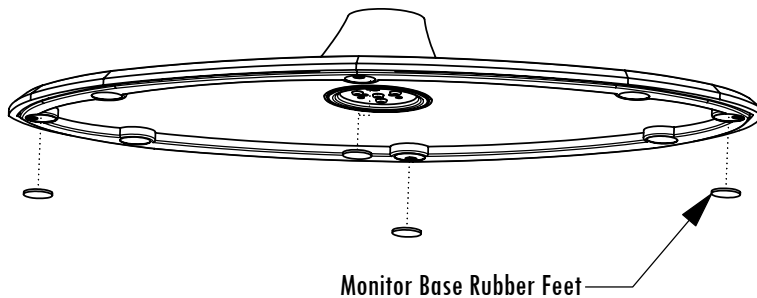


SM1909B - Bolt Down Furniture Mount

for Samsung Model LN32A450 & LN32B457C6HXZA

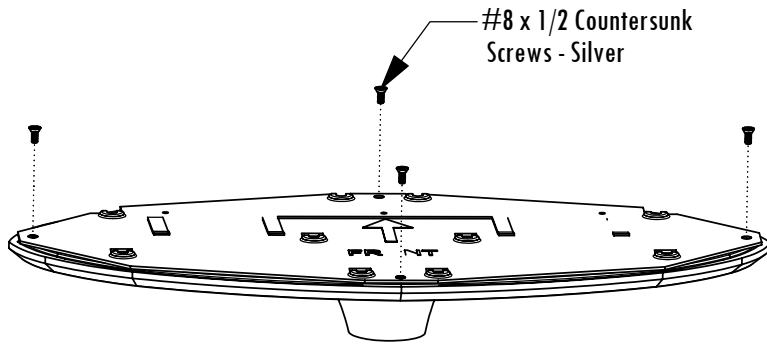


1. Determine the appropriate location on the furniture for the monitor. Mark the location for the mount.
2. Carefully line up the front edge of the Bottom Plate with the line marked in step 1. Make sure that the front arrow is pointed towards the front of the furniture.
3. Attach the Bottom Plate to the furniture with 8 of the Silver #8 x 5/8" Phillips Tapping Screws
4. Remove the rubber feet from the Monitor Base.

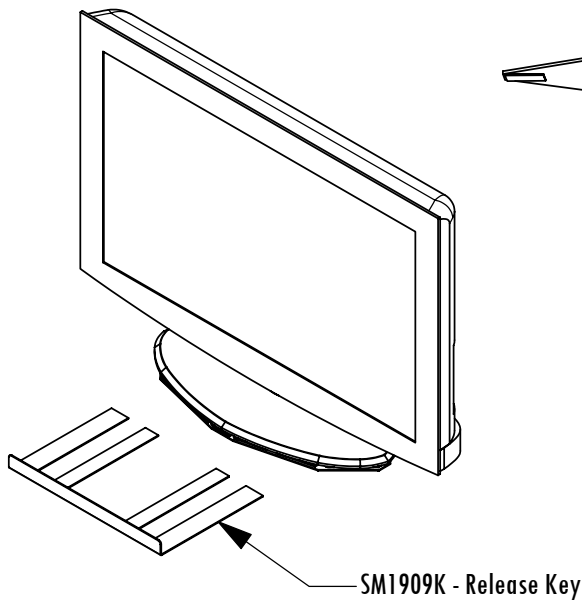
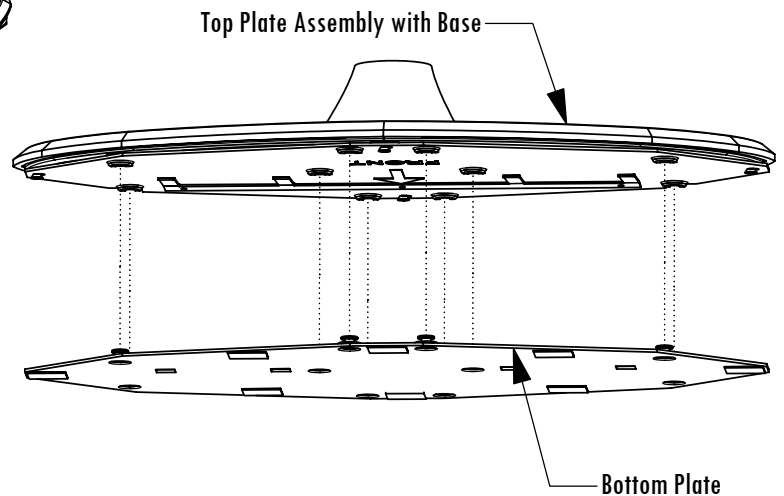
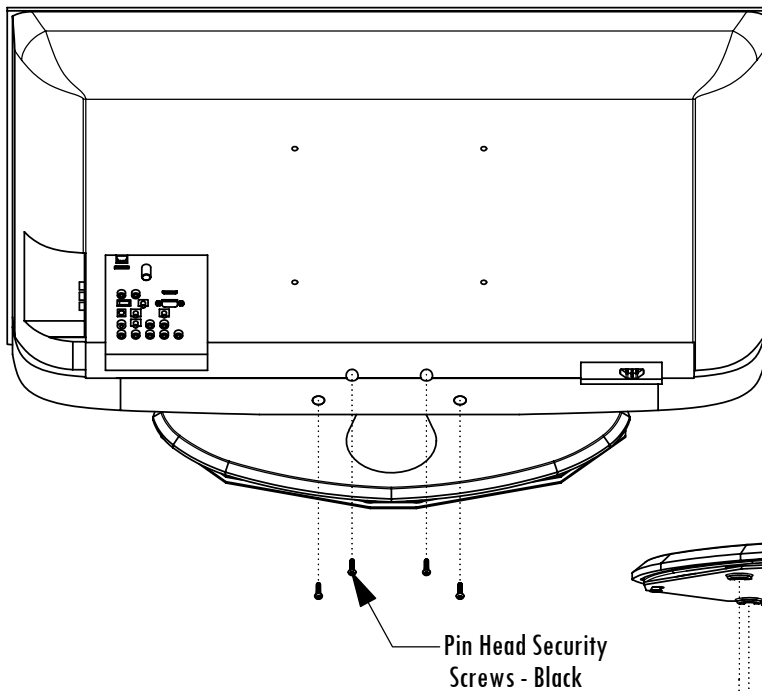


Component List

- 1 ... Top Plate
- 1 ... Bottom Plate
- 4 ... #8 x 5/8 Pin Head Security Screws - Black
- 8 ... #8 x 1/2" Phillips Countersunk Tapping Screws - Silver



7. Remove the existing countersunk screws from the monitor base and attach the Top Plate to the Monitor Base with the provided #8 x 5/8" Phillips Countersunk Tapping Screws.
8. Align the slots on the Top Plate Assembly with the rivets on the Bottom Plate. Pull forward on the Top Plate Assembly to lock the two plates together.
9. Attach the Samsung monitor to the Monitor Base with the provided Pin Head Security Screws. (Requires 5/32" Hey Key with Hole, sold separately with SM1909K - Release Key)



Monitor Removal

Align the Release Key with the middle of the mount and Slide the Release Key between the Top Plate Assembly and the Bottom Plate.

Once the Release Key is inserted all the way, the top and bottom plates will release from each other.

Protected under one or more of these U.S. Patent numbers: 3,291,432; 3,559,942; 3,724,798; DES:270,689; 4,613,109; 4,872,842; DES:309,5624; 973,023; 5,169,114; 5,255,884; 5,310,159; 5,522,576; 5,621,614; Re:35,677; DES:398,834; 5,826,384; 5,941,492; 5,964,068; 6,060,661; 6,102,398; 6,158,704; 6,454,116; 6,761,276; 6,826,425; 6,826,425