



**SM1909A
&
SM1909B**

Wafer Thin Profile Furniture Mount with Security

for Samsung 32" LCD Models:
LN32A450, LN32B457C6HXZA & LN32G Series

The SM1909A & SM1909B mounts use the existing Samsung 32" monitor base to secure the LCD to the furniture. Available in adhesive and bolt down versions. The adhesive model allows the monitor to be secured to granite, marble, glass and other countertops that cannot be drilled. The patented security mechanism provides a discrete wafer thin profile while securing the monitor. Security screws are used to replace the existing monitor stand screws.

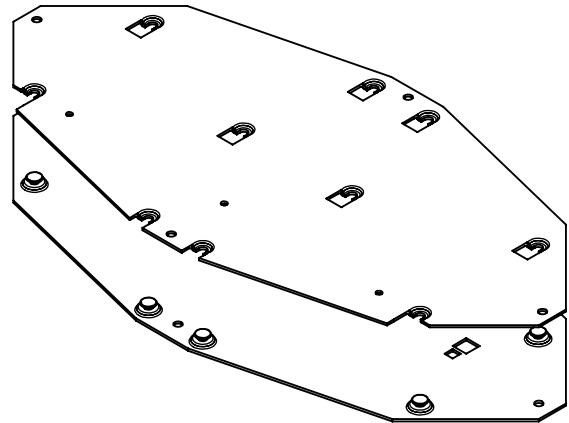
Features:

Black finish hides mount under monitor's glass base.

Fits Commercial Samsung 32" LCD Models:
LN32A450, LN32B457C6HXZA & LN32G Series

Security screws provided to replace monitor stand attaching screws.

Uses existing monitor base center of gravity to mount the monitor securely to the furniture.



Maximum Load Limit:

50 Lbs. (22.7 Kg.)

Product Weight:

5.0 Lbs. (2.3 Kg.)

Shipping Weight:

5.5 Lbs. (2.5 Kg.)

Carton Dimensions:

20"L x 10"W x 0.5"H

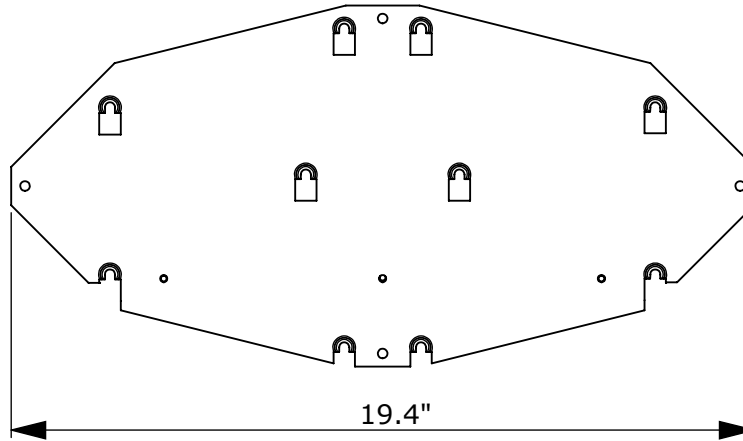
Security Tools: (Ordered Separately)

SM1909K - Release Key for SM1909 Mounts
(Includes 5/32" Hex Key with Hole for Security Screws)

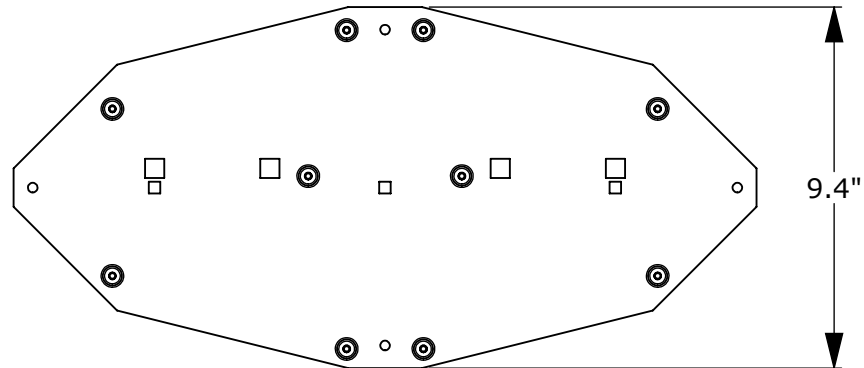
Architectural Specification: The Wafer Thin Furniture Mount shall be Lucasey model SM1909A or SM1909B and shall be located where indicated on the plans. It shall feature monitor base attaching plates compatible with Samsung Model LN32A450, LN32B457C6HXZA & LN32G Series. Assembly and installation shall be done according to instructions provided by the manufacturer.



Top View

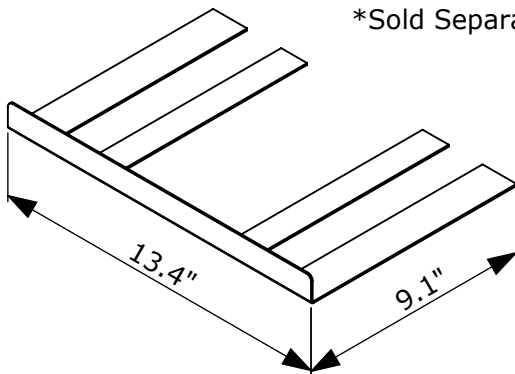


Bottom View



SM1909K - Release Key

*Sold Separately



Side View

