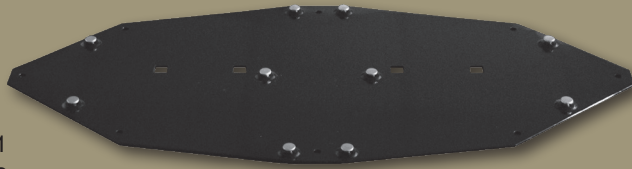


LUCASEY WAFER

SM2411
Top plate



SM2411
Bottom plate



SM2411A
(Adhesive)

SM2411B
(Bolt Down)

FURNITURE MOUNTS FOR SAMSUNG MODELS LN37A450 & LN40A450



Simple discreet modular mounting solution for the new generation of LCDs. Designed to change the existing stand to be hotel safe, providing first rate security and keep the designer look of the LCD. Works with Samsung monitor bases. Available in bolt down for wood surfaces and adhesive for glass and stone. Although secure when mounted, adhesive can be completely removed without marring stone surfaces. Quick and easy installation with a modular design.

- Security hardware kit provided.
- Carton Dimensions:
25" L x 12" W x 1/2" H
- Security Tools: (Ordered Separately)
SM2411K - Release Key for
SM2411 mounts including Hex Key

Load Limit	Thick-ness	Color	Ship. Wt.
50 lbs	3/8"	Gloss Black	6.7 lbs

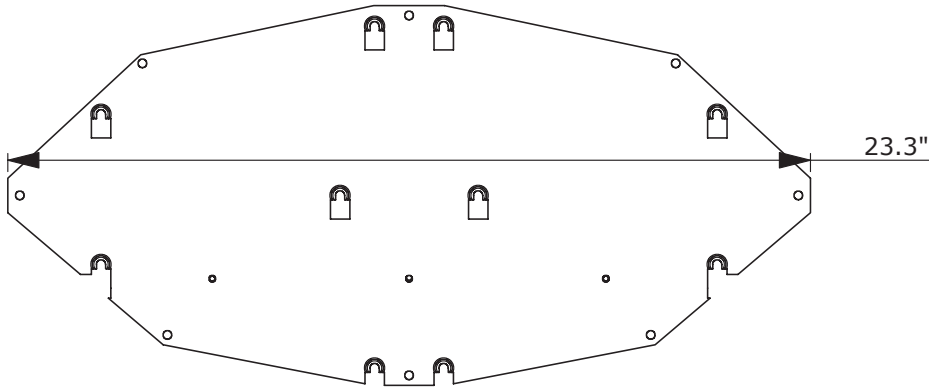
 **LUCASEY**[®]
MOUNTING SYSTEMS
The Installers Choice

2744 East Eleventh Street
Oakland, CA 94601
1•800•LUCASEY or 510•534•1435
www.lucasey.com

SM4411

Product Data Sheet

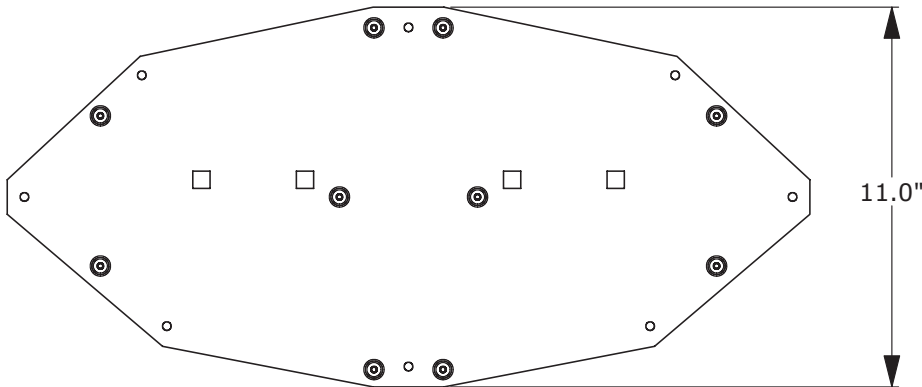
Top View



Side View

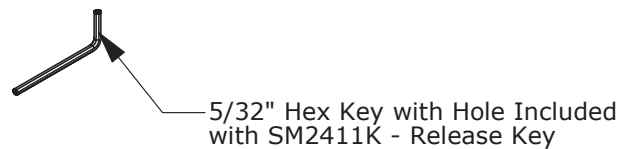
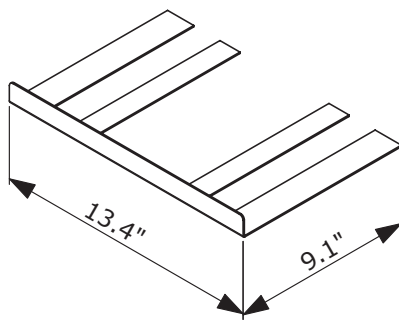


Bottom View



SM2411K - Release Key

*Sold Separately



Visit lucasey.com for full product line details and technical info

Protected under one or more of these U.S. patent numbers: 3,291,432; 3,559,942; 3,724,798; DES.270,689; 4,613,109; 4,852,842; 4,878,645; DES.309,562; 4,973,023; DES.322,210; 5,169,114; 5,255,884; 5,310,152; 5,522,576; 5,621,614; Re.35,677; DES.398,834; 5,826,384; 5,941,492; 5,964,068; 6,060,661; 6,102,348; 6,158,704; 6,454,116B1; 6,761,276B2; 6,806,425B1; 6,926,244B1; 6,964,399B1; 6,988,698B2; 6,988,714B2.

© 2009 LUCASEY MANUFACTURING CORPORATION, Oakland, California. All rights reserved.