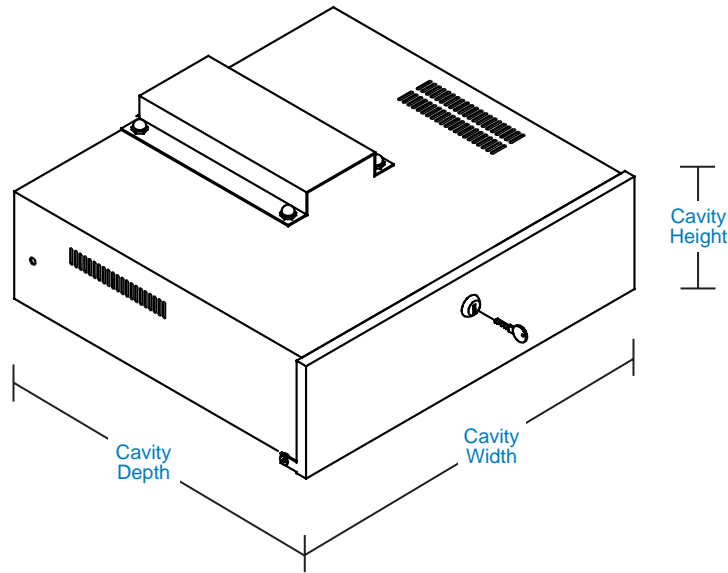




VCRE17DS

LOCKING DOOR VCR ENCLOSURE



MODEL	CAVITY WIDTH	CAVITY DEPTH	CAVITY HEIGHT	LOAD LIMIT (lbs)	SWIVEL	TILT	BLACK WRINKLE	SHIP. WT. (lbs)
VCRE17DS	17"	14-1/2"	4-3/4"	See TV Mount	0°	0°	•	25

NOTES:

- Mount Compatibility: *DS, DSWP, SD, SDWP.*
- Cam style lock.
- Wall prevents VCR removal from open back.
- Cords feed in from rear of unit to VCR.

1-800-LUCASEY