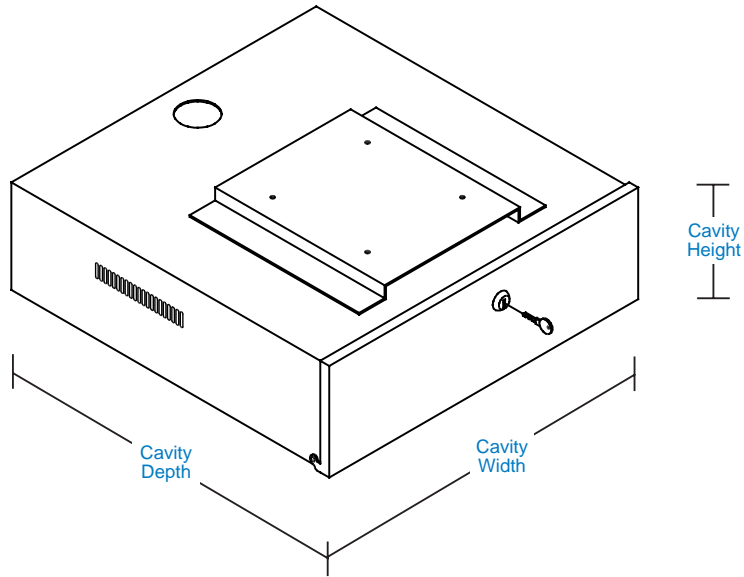




### VCRE186A

#### LOCKING DOOR VCR ENCLOSURE



MODEL	CAVITY WIDTH	CAVITY DEPTH	CAVITY HEIGHT	LOAD LIMIT (lbs)	SWIVEL	TILT	BLACK WRINKLE	SHIP. WT. (lbs)
VCRE186A	17-7/8"	17-1/2"	4-1/8"	See TV Mount	0°	0°	•	25

**NOTES:**

- Mount Compatibility: **DSCM, SDCM, SSCM, ACM** (**ACM3045 "ATLAS"** requires adapter #**ACM3045V**).
- Positive pin tumbler barrel lock.
- Access hole at rear for VCR cords.
- Solid back prevents removal of VCR from rear.

Protected under one or more of these or pending United States patent numbers: 3,291,432; 3,559,942; 3,724,798; DES.270,689; 4,613,109; 4,852,842; 4,878,645; DES.309,562; 4,973,023; 5,169,114; 5,255,884; 5,310,152; 5,522,576; 5,621,614; Re.35,677; DES.398,834; 5,826,384; 5,941,492; 5,964,068  
 © 2000 LUCASEY MANUFACTURING CORPORATION, Oakland, California. All rights reserved.

**1-800-LUCASEY**