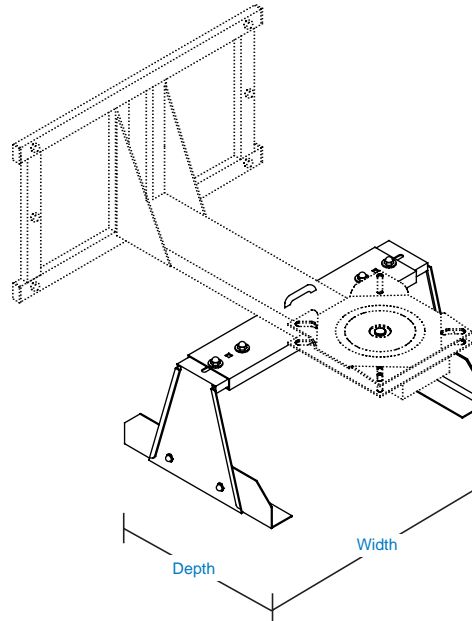
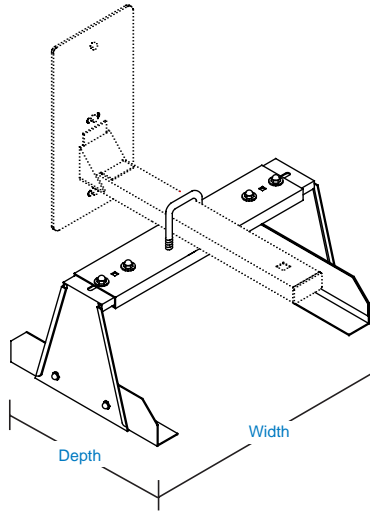




VCRU

ADJUSTABLE VCR MOUNTS



MODEL	CAVITY WIDTH	CAVITY DEPTH	SWIVEL	TILT	CAVITY HEIGHT	BLACK WRINKLE	GLOSS BLACK	GLOSS WHITE	SHIP. WT. (lbs)
VCRU914	9"-14"	11"	0°	0°	6-5/8"	•			5
VCRU914B	9"-14"	11"	0°	0°	6-5/8"		•		5
VCRU914W	9"-14"	11"	0°	0°	6-5/8"			•	5
VCRU1420	14"-20"	11"	0°	0°	6-5/8"	•			6
VCRU142B	14"-20"	11"	0°	0°	6-5/8"		•		6
VCRU142W	14"-20"	11"	0°	0°	6-5/8"			•	6

MODEL	MOUNT COMPATIBILITY
VCRU914	* CTL, SS, SSWP, 1700, DS, DSWP, SD, SDWP
VCRU914B	HM-B, HMS-B, 1700-B
VCRU914W	HM-W, HMS-W, 1700-W
VCRU1420	* CTL, SS, SSWP, 1700, DS, DSWP, SD, SDWP
VCRU142B	HM-B, HMS-B, 1700-B
VCRU142W	HM-W, HMS-W, 1700-W

* ACM, DSCM, SDCM & SSCM requires adapter #APVCRU (sold separately)

NOTES:

- Adhesive grip pads.
- 6-5/8" cavity height can hold VCR and some cable box units.

Protected under one or more of these or pending United States patent numbers: 3,291,432; 3,559,942; 3,724,798; DES.270,689; 4,613,109; 4,852,842; 4,878,645; DES.309,562; 4,973,023; 5,169,114; 5,255,884; 5,310,152; 5,522,576; 5,621,614; Re.35,677; DES.398,834; 5,826,384; 5,941,492; 5,964,068
 © 2000 LUCASEY MANUFACTURING CORPORATION, Oakland, California. All rights reserved.

1-800-LUCASEY