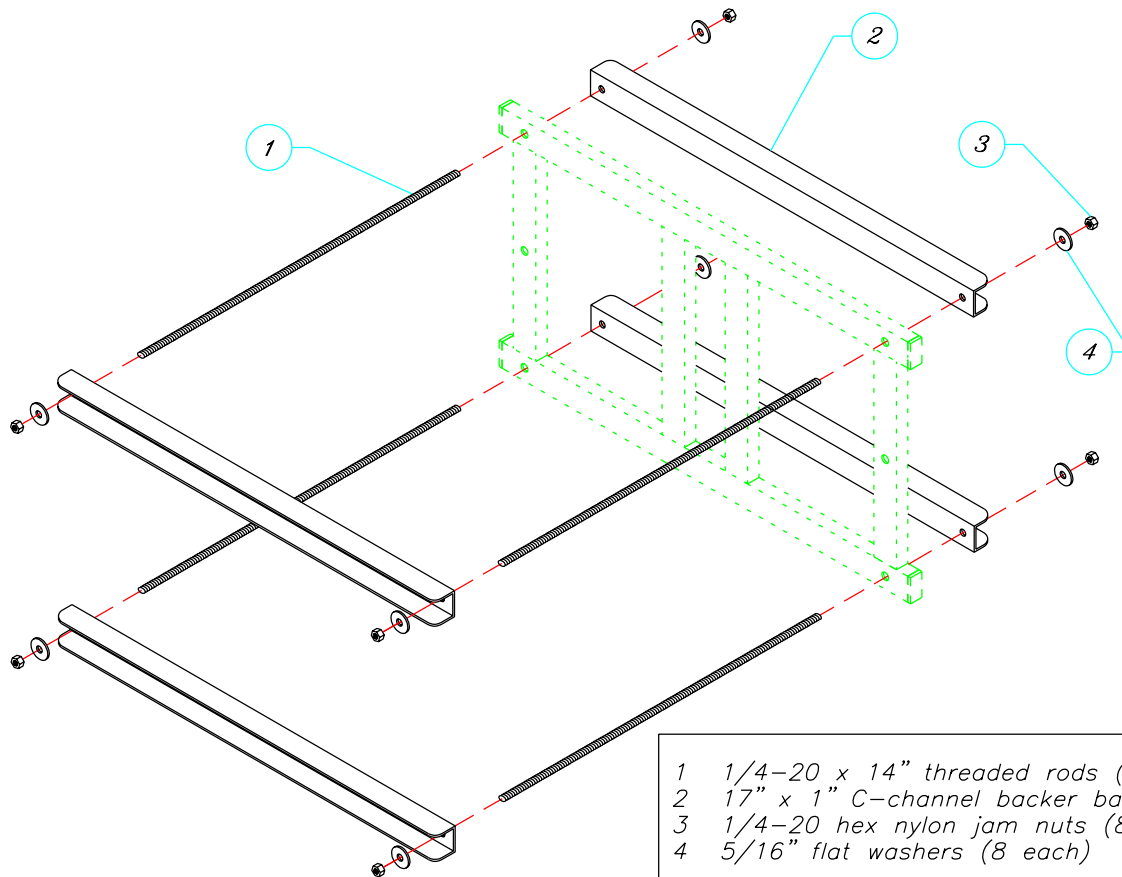


WMABPDS/WMABPS4 Back Plate Kit



- | | |
|---|---|
| 1 | 1/4-20 x 14" threaded rods (4 each) |
| 2 | 17" x 1" C-channel backer bars (4 each) |
| 3 | 1/4-20 hex nylon jam nuts (8 each) |
| 4 | 5/16" flat washers (8 each) |

PREPARATION:

Installation of the Back Plate Kit requires drilling completely through the masonry wall, and for complete safety, requires two people.

Before beginning installation, verify that the backside of wall will permit installation of the back plate kit.

- Using mount as a template, mark location of holes for drilling.
- Drill 1/2" diameter holes completely through the wall at the marked locations, keeping the drill at a right angle to the wall surface.
- Place a washer and a nut on one side of the threaded rods. Screw the nuts onto the rods until approximately 1/4" of threaded rod is protruding through nut.
- Position "C" channel over the back plate of the mount arm and insert the threaded rods through the holes in the "C" channel, wall arm plate, and through the wall.

- On the other side of the wall, place the other "C" channel over the threaded rods protruding from holes in wall. Place a washer and nut onto each rod. Tighten the nuts until the back plate is snug, but not tight, against the wall.
- Level the "C" channels and align the rods in the centers of each of the "C" channel holes, then return to the wall plate (on the other side of the wall) and level the wall plate centering the rods in the wall plate holes.
- Return to the back plate and securely tighten the nuts.
- Break or cut off excess threaded rods protruding from backside of "C" channels.
- Proceed with the wall mount installation.