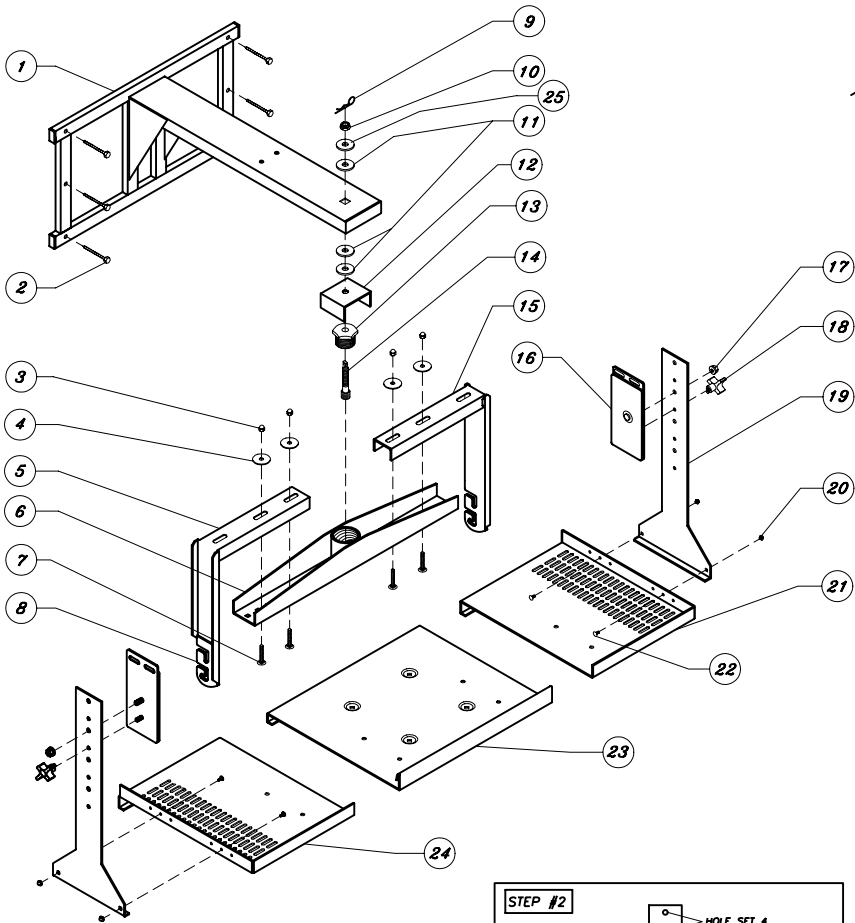
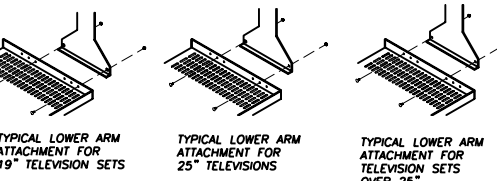


DSCM Adjustable Wall Mounts

DSCM2030 DSCM203L DSCM2333 DSCM233L



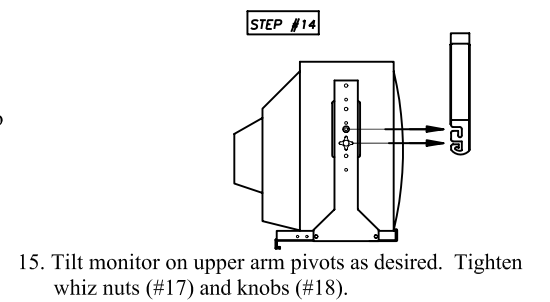
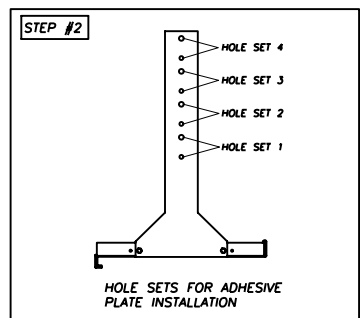
- Attach lower arms (#19) to side plates with four small carriage bolts (#22) and acorn nuts (#20). Use acorn nuts on outside of plate assembly.
- Loosely attach whiz nuts (#17) and knobs (#18) to bolt threads of adhesive plate assembly protruding through lower arms.
- Loosely attach upper arms (#5 and #15) to yoke (#6) with four large carriage bolts (#7), washers (#4) and acorn nuts (#3). Use holes in yoke which permit upper arms to fit just outside lower arms.



- Measure height of monitor. Place adhesive plate assemblies (#16) in holes in lower arm as indicated by the following chart. Do not remove the plastic covering from the adhesive pad.
- Wood Stud Installation: Locate center of wall stud. Use backplate of mounting arm (#1) as template to determine location of holes. Drill pilot holes (the minor diameter of the screws) into center of wall stud. Attach mounting arm to center of stud using wood screws provided (#2).

Hole Set Number	DSCM2030\2333 Monitor Height	DSCM203L\233L Monitor Height
1	To 16-3/4"	18-1/4" to 20-3/4"
2	16-3/4" to 19-1/4"	20-3/4" to 23-1/4"
3	19-1/4" to 21-3/4"	23-1/4" to 25-3/4"
4	21-3/4" to 24-1/4"	25-3/4" to 28-1/4"

- If necessary, clean sides of monitor to ensure proper adhesion of adhesive pads. Place monitor on plate assembly and slide side plates inward until edges of side plates are securely against monitor. Center the center plate beneath monitor.
- Secure side plates to center plate with two small carriage bolts and acorn nuts through holes and slots in the lower lip at the back of plates. (Not shown on drawing.)
- Carefully tilt monitor over to expose bottom of plates. Secure monitor to plates with fasteners appropriate to the underside of the monitor. Turn monitor right side up.
- Pull outward on top of one of the lower arms and remove plastic covering from adhesive plate. Press lower arm firmly onto side of monitor to secure pad to monitor. Repeat with other side.
- For additional security, attach security strap as shown in separate "Strap Installation" instructions.



- Lift monitor and lower assembly. Slip adhesive plate bolt threads into slots of upper arm pivots. Force upper arms inward until they press tightly against monitor. Verify that yoke is centered between upper arms and securely tighten acorn nuts in yoke assembly.
- Tilt monitor on upper arm pivots as desired. Tighten whiz nuts (#17) and knobs (#18).