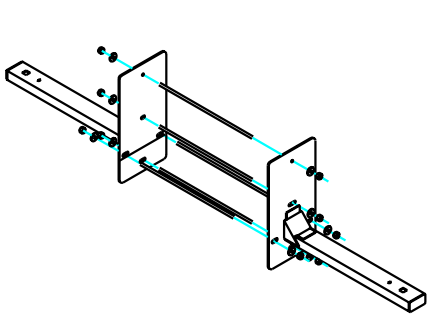


DSWP Series Adjustable, Non-locking Wall Mounts

DSWP1420 DSWP2030 DSWP2333

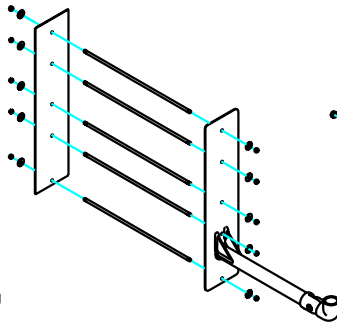
1. Verify sufficient arm-to-ceiling clearance for monitor before installation. Locate center of wood wall studs. Use backplate of mounting arm (#8) as template to determine location of holes. Drill pilot holes (the minor diameter of the screws) into center of wall studs. Attach stiffener channel (#11) and mounting arm to center of studs using wood screws provided (#7). Test holding action of installation before mounting monitor.
2. Twist upper half of swivel on end of mounting arm to permit easy access to bolt slots.
3. Place center plate (#2) on swivel, aligning holes in plate with slots in upper half of swivel.
4. Secure center plate to swivel with four 1/4-20 x 1/2" carriage bolts (#3), lock washers (#9), and 1/4-20 nuts (#10). Insert carriage bolts through top of center plate.
5. **DSWP1420:** Insert bolts on adhesive plate assemblies (#4) into holes on sides of side plates (#1 and #5).
6. **DSWP2030** and **DSWP2333:** Insert bolts on adhesive plate assemblies (#4) into second and fifth holes in sides of side plates (#1 and #5).
7. Secure adhesive plates to side plates with #10-24 acorn nuts (#6).
8. Slide side plates (#1 and #5) onto center plate (#3), slipping rear lip of side plates over rear lip of center plate and front lip of side plates under front lip of center plate.
9. Place monitor on plate assembly. Remove plastic covering from adhesive plate assemblies and press side plates inward to affix adhesive plates to side of monitor.
10. Center the center plate beneath monitor. Secure side plates to center plate with two small carriage bolts and nuts through holes and slots in the lower lip at the back of plates.
11. Attach monitor to side plates with fasteners appropriate to the underside of the monitor.
12. For additional security, attach security strap.

Wall Mount Accessories



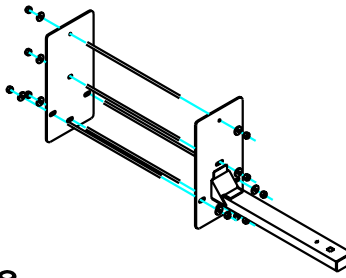
Sandwich Kit
Part No. WMASK

Mounts two single stud wall mounts back-to-back on a masonry wall.



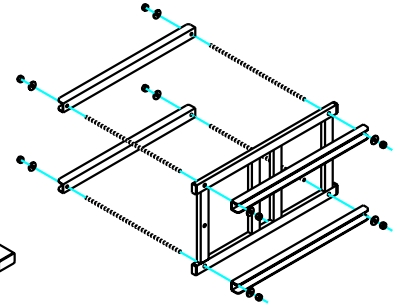
Back Plate Kit
Part No. WMABP71

Secures 7100 Series and 7500 Series wall mounts to masonry walls.



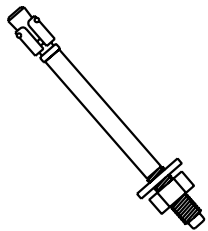
Single Stud Back Plate Kit

Part No. WMABPSS
Part No. WMABPSD
Secures a single stud wall mounts to a masonry wall.



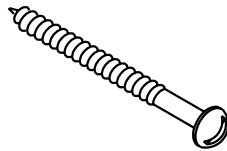
Double Stud Back Plate Kit

Part No. WMABPDS
Secures double stud wall mount to a masonry wall.



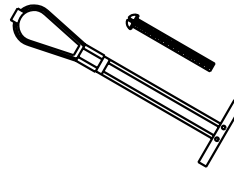
Concrete Anchor Bolt Kit

Part No. WMAAB3 (3 pc. kit)
Part No. WMAAB5 (5 pc. kit)
Part No. WMAAB6 (6 pc. kit)
Part No. WMAAB7 (7 pc. kit)
Part No. WMAAB100 (100 pc. kit)
Secures wall mounts to concrete walls.



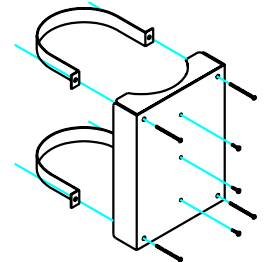
One-way Wood Screw-Kit

Part No. WMA1W100 (100 pc. kit)
Part No. WMA1WS3 (3 pc. kit)
Part No. WMA1WS6 (6 pc. kit)
A standard "slot" type screw driver can fasten these one-way screws but slips free when removal is attempted.



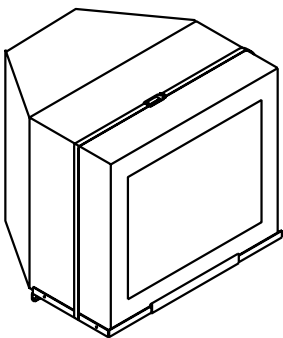
Metal Stud Toggle Bolt Kit

Part No. WMATB3 (3 pc. kit)
Part No. WMATB5 (5 pc. kit)
Part No. WMATB6 (6 pc. kit)
Part No. WMATB12 (12 pc. kit)
Part No. WMATB100 (100 pc. kit)
Secures wall mounts to metal wall studs.



Post Mounting Brackets

Part No. WMAPC6
Part No. WMAPC7
Part No. WMAPC8
Secures standard single stud wall mounts to 6, 7 or 8-inch diameter round post.



Heavy Duty Safety Strap
Part No. ST20

Helps to secure difficult to attach monitors and TV / VCR combinations
Included with adjustable and nonlocking mounts.
See Part no. **ST GUIDE**.

WMAH Hoist, Housing & One-way Ratchet

Use with WMAHC Coupler Kits for TSCM Yoke-style Wall Mounts

WMAH150 Hoist

Compatible with:
Includes: hoist, housing & ratchet.

TSCM3045
TSCM304L
TSCM2030
TSCM203L
TSCM2333
TSCM233L

WMAHC Coupler Kits

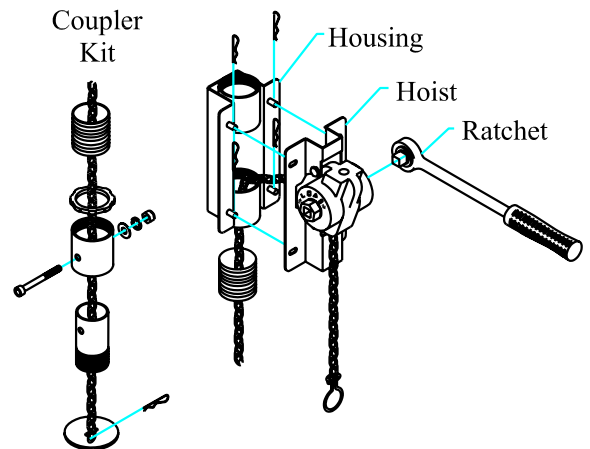
Use with TSCM Yoke-style wall mounts ONLY.

WMAHC150 Compatible with:

TSCM3045
TSCM304L

WMAHC125 Compatible with:

TSCM2030
TSCM203L
TSCM2333
TSCM233L



- 500 pound maximum load rating
- One WMAH hoist, housing & One-way Ratchet can service any quantity of TSCM Series Wall Mounts.
- Order one WMAHC Coupler Kit per mount.