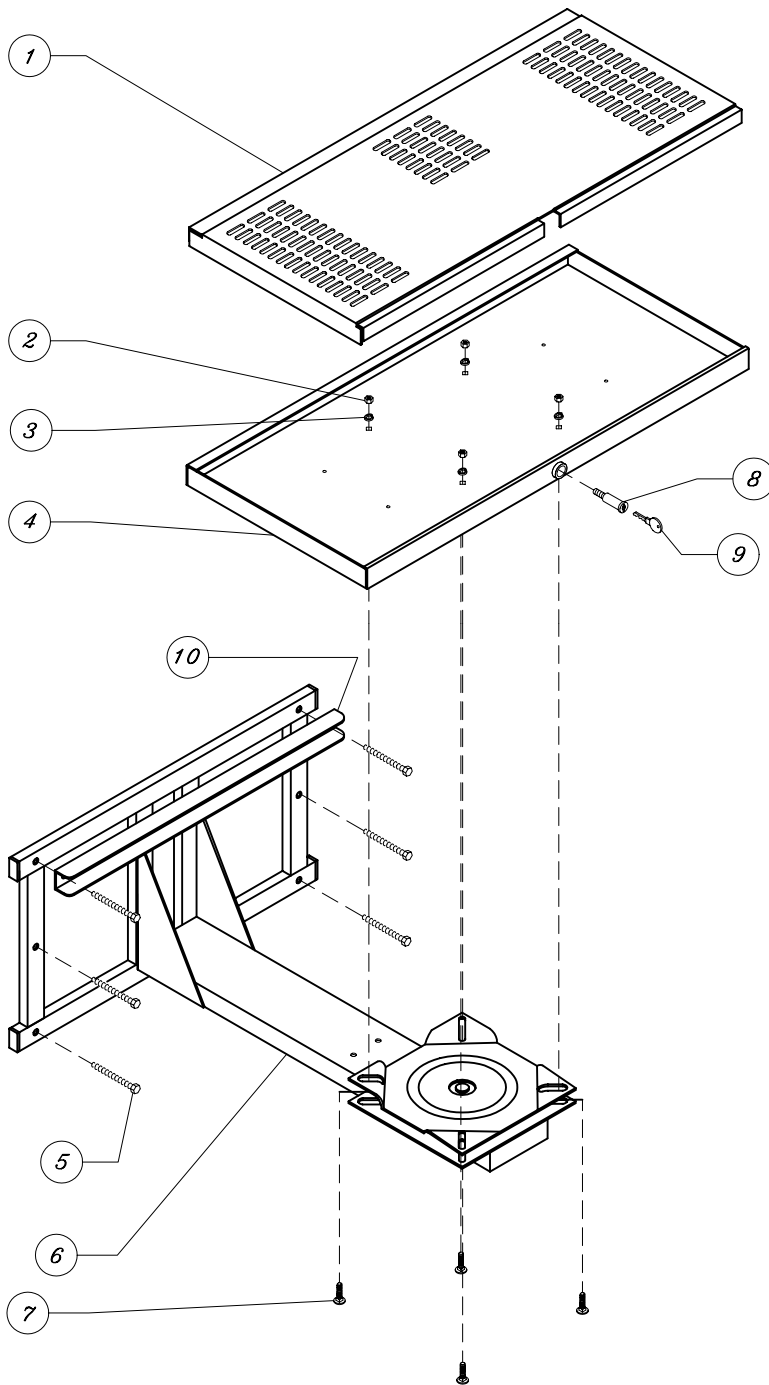


DSWP Series Locking Wall Mounts



1. Wood Stud Installation: Locate center of wall studs. Use backplate of mounting arm [#6] as template to determine location of holes. Drill pilot holes (the minor diameter of the screws) into center of wall studs. Attach mounting arm and stiffener (#10) to center of studs using wood screws provided [#5]. Verify sufficient arm-to-ceiling clearance for monitor before installation. Test holding action of installation before mounting monitor.
2. Twist upper half of swivel on end of mounting arm to permit easy access to bolt slots.
3. Place lower plate (#4) on swivel, aligning holes in plate with slots in upper half of swivel.
4. Insert four 1/4-20 x 1/2" carriage bolts (#7) through swivel plate slots and plate holes.
5. Place 1/4" lock washer (#3) and 1/4-20 nut (#2) on each carriage bolt and securely tighten.
6. Twist upper plate to align lower plate with wall.
7. Invert monitor. Position inverted upper plate (#1) on bottom of monitor with lock slot facing front of monitor. Attach monitor to upper plate with fasteners appropriate to the underside of the monitor.
8. Turn monitor right side up. Place upper plate on lower plate, guiding rear of upper plate beneath lip at back of lower plate. Slip upper plate into lower plate and pull forward until front of upper plate meets front of lower plate.
9. Place key (#9) in lock (#8) and insert lock in lock retainer. Turn key clockwise clockwise until lock is completely screwed into lock retainer, then turn key back (counterclockwise) until key is vertical. Remove key.