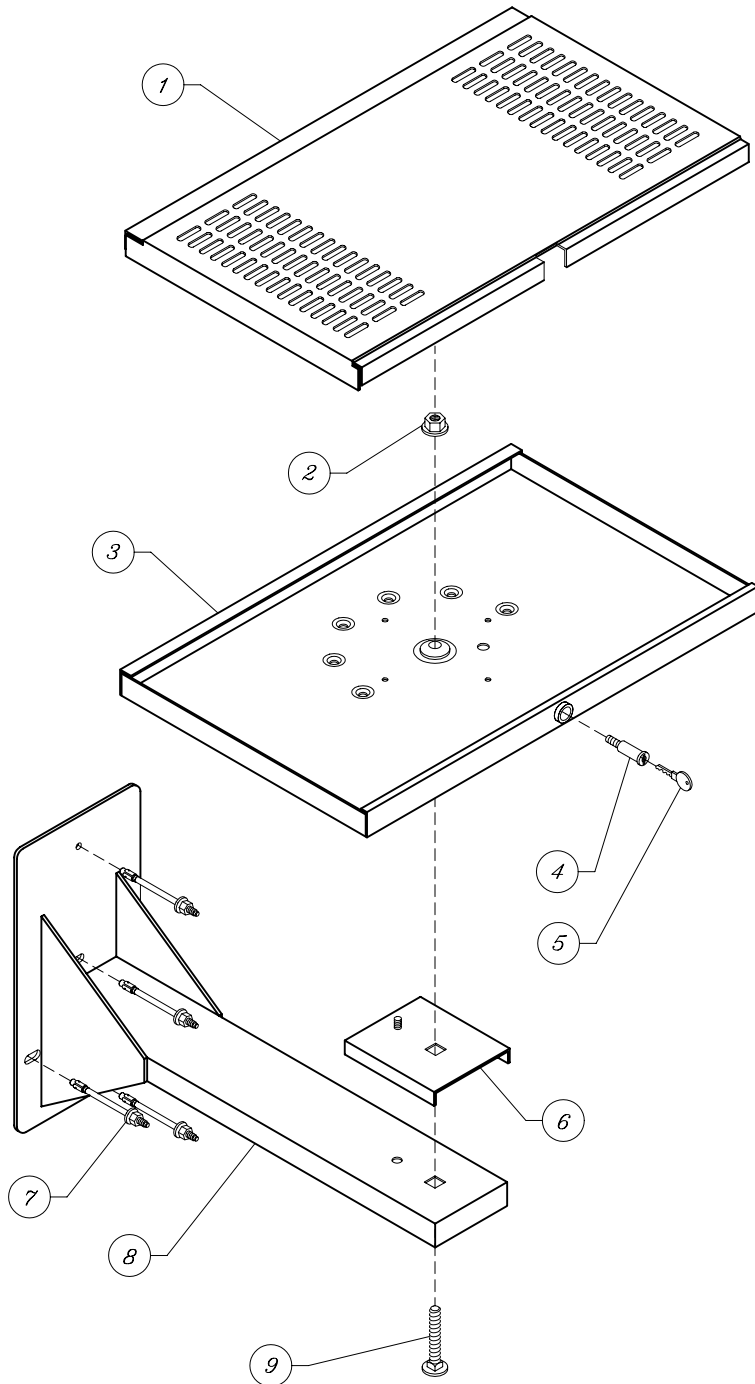
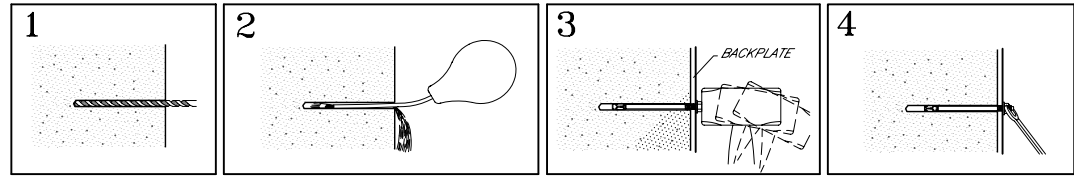


# SD Series Locking Wall Mount



## Wall Arm Installation:

1. Use backplate of wall arm (#8) as template to mark location of top hole in wall plate. Hammer-drill 1/4" diameter hole at least 3-1/4" deep at hole location.
2. Blow dust from hole with Blow Out Bulb.
3. Insert the anchor bolt (#7) into the hole. Place washer and nut on anchor bolt. Hammer anchor bolt into hole until at least six threads on anchor bolt are below the surface of the wall plate.
4. Remove nut and washer from anchor bolt. Position wall plate on anchor bolt, and replace washer and nut. Loosely tighten nut. Level wall plate. Mark other hole locations. Hammer-drill and blow out remaining anchor bolts. Securely tighten nuts.



## Platform Assembly and Monitor Installation:

1. Place lower plate (#3) on arm, align hole in middle of plate with hole in arm. Slip the arm nib into one of the four holes on swivel plate at bottom of lower plate.
2. Insert carriage bolt (#9) through bottom of mounting arm and lower plate.
3. Place and tighten whiz nut (#2) on carriage bolt.
4. Invert monitor. Position inverted upper plate (#1) on bottom of monitor with lock slot facing front of monitor. Attach monitor to upper plate with fasteners appropriate for the underside of the monitor.
5. Turn monitor right side up. Place upper plate on lower plate, guiding rear of upper plate beneath lip at back of lower plate. Slip upper plate into lower plate and pull forward until front of upper plate meets front of lower plate.
6. Place key in lock (#9) and insert lock in lock retainer. Turn key clockwise until lock is completely screwed in, then turn back (counterclockwise) until key is vertical. Remove key.