

# SDCM SERIES ADJUSTABLE WALL MOUNTS

SDCM1420   SDCM2030   SDCM203L   SDCM2333   SDCM233L

## Wall Arm Installation To Concrete:

1. Use backplate of wall arm (#1) as template to mark location of top hole in wall plate. Hammer-drill 1/4" diameter hole at least 3.25" deep at hole location.
2. Blow dust from hole with Blow Out Bulb.
3. Insert anchor bolt (#2) into hole. Hammer anchor bolt into hole until at least six threads on anchor bolt will be below surface of the wall plate.
4. Position wall plate on anchor bolt, and attach washer and nut. Loosely tighten nut. Level wall plate. Mark other hole locations. Hammer-drill and blow out remaining holes, and install remaining anchor bolts. Securely tighten nuts.

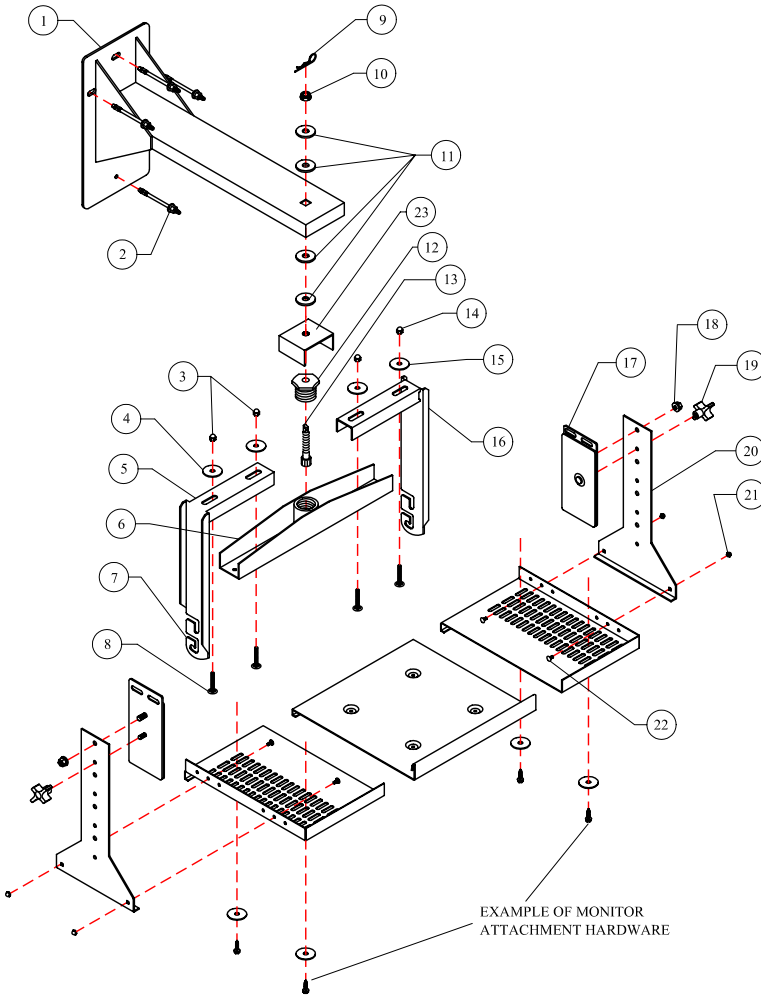
## Platform Assembly and Monitor Installation:

1. Attach lower arms (#20) to side plates with small carriage bolts (#22) and acorn nuts (#21).
- NOTE:** On SDCM2030 and SDCM2333 models, three positions are provided for attachment of the lower arms to the side plates to accommodate variations in the centers of gravity of monitors. Generally, the lower arms should be secured to the first set (from the front) of holes in the side plates if a 19" monitor is being mounted, to the second set of holes if a 25" monitor is being mounted, and to the third set of holes if a monitor larger than 25" is being mounted.
2. Measure height of monitor. Place adhesive plate assemblies in holes in lower arm as indicated in the following chart. *Do not remove the plastic covering from the adhesive pad.*

	Monitor Height	Hole Set Number
<b>SDCM1420</b>	To 11-3/4"	1
	11-3/4" to 14-1/4"	2
	14-1/4" to 16-3/4"	3
	16-3/4" to 19-1/4"	4
<b>SDCM2030/2333</b>	To 16-3/4"	1
	16-3/4" to 19-1/4"	2
	19-1/4" to 21-3/4"	3
	21-3/4" to 24-1/4"	4
<b>SDCM203L/233L</b>	18-1/4" to 20-3/4"	1
	20-3/4" to 23-1/4"	2
	23-1/4" to 25-3/4"	3
	25-3/4" to 28-1/4"	4

3. Clean sides of monitor to ensure proper adhesion of adhesive pads. Place monitor on plate assembly and slide side plates inward until edges of side plates are securely placed against monitor. Center the center plate beneath monitor.

4. Secure side plates to center plate with two small carriage bolts and acorn nuts through holes and slots in the lower lip at the back of plates (not shown).
5. Carefully tilt monitor over to expose bottom of plates. Secure monitor to plates with hardware appropriate to the underside of the monitor. Attach security strap.  
**NOTE:** New optional strap attachment holes in adhesive pads.
6. Pull outward on top of one of the lower arms and remove plastic covering from adhesive pad. Press lower arm firmly into side of monitor to secure pad to monitor. Repeat with other side.
7. Loosely attach whiz nuts (#18) and knobs (#19) to bolt threads of adhesive plate assembly.
8. Loosely attach upper arms (#5 and #16) to yoke (#6) with four large carriage bolts (#8), washers (#4), and acorn nuts (#3). Use holes in yoke which permit upper arms to fit just outside lower arms.
9. Slip slots of upper arm pivots (#7) onto adhesive plate bolt threads. Verify that bolt slots in upper arms allow inward movement of the upper arms on the yoke. If necessary, reposition carriage bolts to allow inward movement of the upper arms.
10. Move upper arms inward toward center of yoke assembly. Center yoke assembly between upper arms. Hand tighten acorn nuts on yoke assembly. Remove upper assembly from lower assembly.
11. Assemble socket cap screw (#13), hex reducing bushing (#12), bushing retainer (#23), and two nylon washers (#11) and insert through bottom of hole at end of arm assembly (#1). Place two nylon washers (#11) over threads of socket cap screw and secure with nylon lock nut (#10). Insert cotter pin (#9) through hole on end of socket cap screw after tightening nylon lock nut.
12. Apply thread locking agent to threads of hex reducing bushing (#12), then screw yoke assembly onto hex reducing bushing (approximately 1/2" of thread will show). Position yoke assembly as desired. (Slots in upper arm pivots should face to rear.)
13. Lift monitor and lower assembly. Slip adhesive plate bolt threads into slots of upper arm pivots. Force upper arms inward until they press tightly against monitor. Verify that yoke is centered between upper arms and securely tighten acorn nuts (#3) in yoke assembly.
14. Tilt monitor on upper arm pivots as desired. Tighten whiz nuts (#18) and knobs (#19).



EXAMPLE OF MONITOR ATTACHMENT HARDWARE

## WALL ARM INSTALLATION

