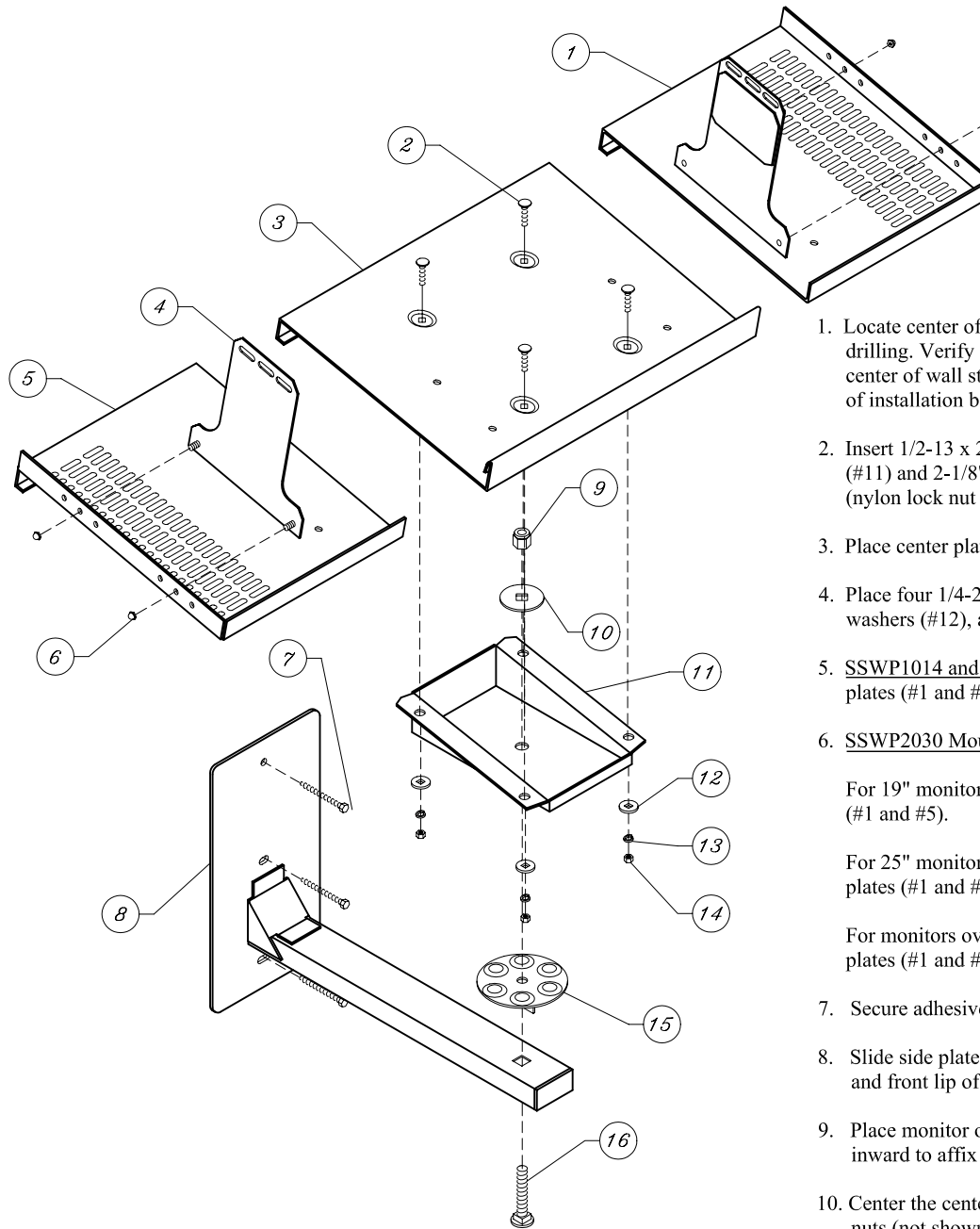


SSWP Series Adjustable, Non-locking Wall Mounts

Models SSWP1014, SSWP 1420, and SSWP2030



1. Locate center of wall stud. Use backplate of mounting arm (#8) as template to determine hole locations for drilling. Verify sufficient arm-to-ceiling clearance for monitor before drilling holes. Drill 3/16" pilot holes into center of wall stud. Attach mounting arm to stud using #14 x 2-1/2" tapping screws (#7). Test holding action of installation before continuing installation.
2. Insert 1/2-13 x 2-1/2" carriage bolt (#16) through bottom of mounting arm. Place swivel plate (#15), tilt plate (#11) and 2-1/8" washer (#10) over carriage bolt. Place and tighten 1/2-13 nylon lock nut (#9) on carriage bolt (nylon lock nut will fit tightly).
3. Place center plate (#3) on tilt plate, aligning holes in center plate with holes in tilt plate.
4. Place four 1/4-20 x 1/2" carriage bolts (#2) through holes in center plate and tilt plate. Place 1/4" square hole washers (#12), and lock washers (#13) over carriage bolt. Place and tighten 1/4-20 nuts (#14) on carriage bolts.
5. SSWP1014 and SSWP1420 Mounts: Insert bolts on adhesive plate assemblies (#4) into holes on sides of side plates (#1 and #5).
6. SSWP2030 Mounts:
 For 19" monitors, insert bolts on adhesive plate assemblies (#4) into first and fourth holes in sides of side plates (#1 and #5).
 For 25" monitors, insert bolts on adhesive plate assemblies (#4) into second and fifth holes in sides of side plates (#1 and #5).
 For monitors over 25", insert bolts on adhesive plate assemblies (#4) into third and sixth holes in sides of side plates (#1 and #5).
7. Secure adhesive plates to side plates with #10-24 acorn nuts (#6).
8. Slide side plates (#1 and #5) onto center plate (#3), slipping rear lip of side plates over rear lip of center plate and front lip of side plates under front lip of center plate.
9. Place monitor on plate assembly. Remove plastic covering from adhesive plate assemblies and press side plates inward to affix adhesive plates to side of monitor.
10. Center the center plate beneath monitor. Secure side plates to center plate with two small carriage bolts and nuts (not shown) through holes and slots in the lower lip at the back of plates.
11. Attach monitor to side plates with fasteners appropriate to the underside of the monitor.
12. For additional stability, attach strap.