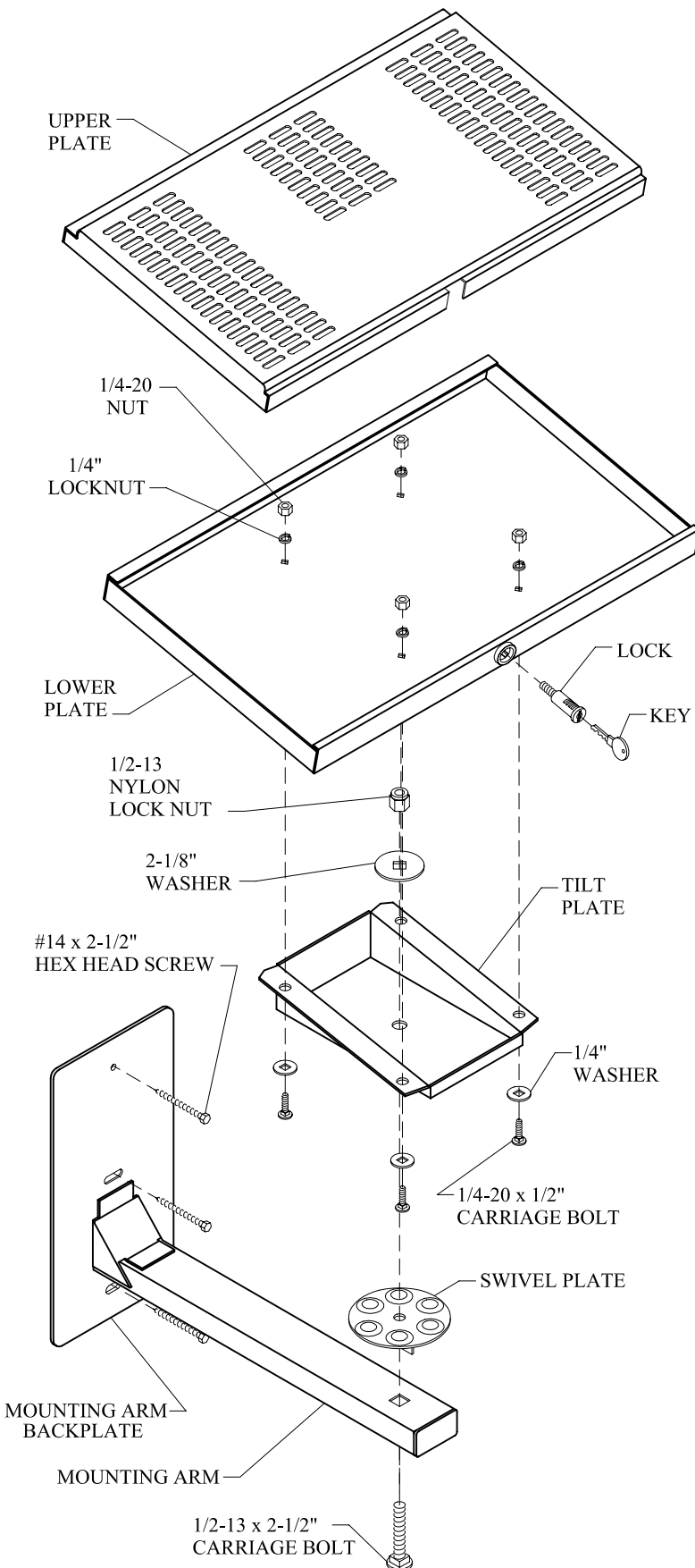


SSWP Series Locking Wall Mounts



1. Locate centerline of wall stud. Use backplate of mounting arm as template to determine hole locations for mounting. Verify sufficient arm-to-ceiling clearance for monitor before installation. Drill 3/16" pilot holes into center of wall stud. Attach mounting arm to center of stud using wood screws provided. Test holding action of wall arm before continuing installation.
2. Attach swivel plate and tilt plate to mounting arm with 1/2-13 x 2-1/2" carriage bolt, 2-1/8" washer, and 1/2-13 nylon lock nut. Insert carriage bolt through bottom of mounting arm.
3. Place lower plate on tilt plate, aligning holes in lower plate with holes in tilt plate.
4. Secure lower plate to tilt plate with four 1/4-20 x 1/2" carriage bolts and 1/4" square hole washers, and 1/4-20 nuts on lower plate. Insert carriage bolts through bottom of tilt plate.
5. Invert monitor. Position inverted upper plate on bottom of monitor with lock slot facing front of monitor. Attach monitor to upper plate with fasteners appropriate to the underside of the monitor.
6. Turn monitor right side up. Place upper plate on lower plate, guiding rear of upper plate beneath lip at back of lower plate. Slip upper plate into lower plate and pull forward until front of upper plate meets front of lower plate.
7. Place key in lock and insert lock in lock retainer.

Protected under one or more of these U.S. Patent numbers: 3,291,432 3,559,942 3,724,798 DES.270,689 4,613,109 4,878,645 4,852,842 DES.309,562 4,973,023 5,169,114 5,255,884 5,310,152 5,522,576 5,621,614 Re.35,677 DES.398,834 5,826,384 5,941,492 5,964,068 6,060,661 6,102,398